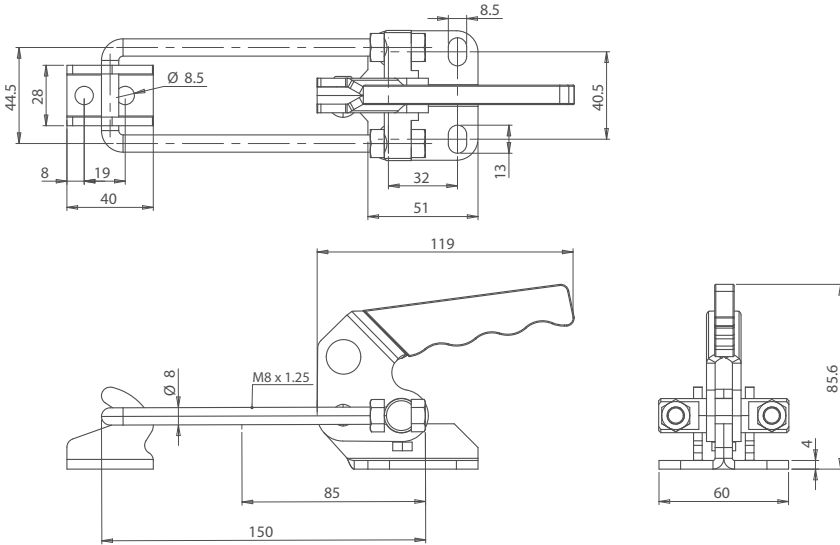


Latch Toggle Clamp Horizontal Versions



207

CLAMPING & FIXING



KEY INFORMATION

- / Part No.
TC40870
- / Holding Force
700Kg
- / Weight
0.7Kg
- / Latch Plate Supplied
TC40870LP

